

Sonance Virtuoso® D-Series 8" In-Wall Speakers



Virtuoso V834D

Sonance Virtuoso® D-Series In-Wall Speakers

The totally-redesigned Sonance Virtuoso® D-Series speaker line takes in-wall speaker performance and technology to a higher level, while making installation faster and easier than ever before.

All new Virtuoso D-series speakers incorporate advanced driver materials and technology that give them stunning musical performance. Eight-inch diameter woofers deliver the kind of deep, powerful bass more commonly found in audiophile free-standing speakers. The exclusive pivoting Sonic Eye® midrange/tweeter assembly directs sound at listeners, producing superior stereo performance even when mounting restrictions require less-than-ideal speaker placement.

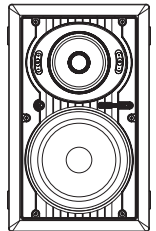
Features:

- Completely redesigned for 2006 with dramatically improved sound quality and quicker/easier installation.
- Advanced driver materials deliver extremely accurate musical performance.
- Pivoting Sonic Eye® directs sound at listeners, for life-like stereo sound even when placement options are limited.
- 8" Diameter woofers deliver deep, powerful bass.
- ¾" MDF baffles and cast aluminum woofer baskets dramatically reduce resonances (V834D & V833D).
- Graphite-Reinforced ABS (GRABS) woofer baskets (V832D & V831D).
- Extended woofer pole piece improves heat dissipation and power handling (V834D).
- 3-Position tweeter adjustment switch (V843D, V833D, V832D) and 3-position midrange adjustment switch (V834D, V833D).
- Exclusive new FastMount® tabs hold speaker in the mounting hole during installation, allowing installer to let go of the speaker to pick-up tools or other items.
- RotoLock® mounting system simplifies installation.
- Paintable aluminum grilles.
- Optional Retrofit Enclosure reduces sound spillover from rear of speaker into adjacent spaces.

SPECIFICATIONS

V834D

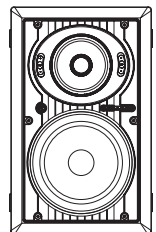
Tweeter:	1" (25mm) Beryllium dome, Ferrofluid cooled, pivoting
Midrange:	4" (102mm) Beryllium cone, rubber surround, pivoting
Woofer:	8" (203mm) Beryllium cone, rubber surround
Frequency Response:	30Hz – 20kHz ±3dB
Impedance:	6 Ohms nominal; 4 Ohms minimum
Power Handling:	5 Watts minimum; 175 Watts maximum
Sensitivity:	91dB SPL (2.83V 1 meter)
Grille Material:	Perforated Aluminum
Adjustments:	Tweeter and midrange level (±3dB)
Dimensions (H x W x D):	9 ⁷ / ₈ " x 15 ¹⁵ / ₁₆ " x 3 ⁷ / ₈ " (251mm x 405mm x 99mm)
Cutout Dim (W x H):	8 ⁷ / ₁₆ " x 14 ¹ / ₂ " (214mm x 368mm)
Shipping Weight:	22 lbs. (10kg) Pair



Virtuoso V834D

V833D

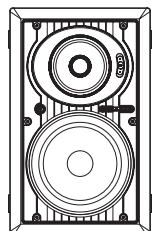
Tweeter:	1" (25mm) Silk dome, Ferrofluid cooled, pivoting
Midrange:	4" (102mm) Carbon Fiber cone, rubber surround, pivoting
Woofer:	8" (203mm) Carbon Fiber cone, rubber surround
Frequency Response:	32Hz – 20kHz ±3dB
Impedance:	6 Ohms nominal; 4 Ohms minimum
Power Handling:	5 Watts minimum; 150 Watts maximum
SPL:	91dB SPL (2.83V 1 meter)
Grille Material:	Perforated Aluminum
Adjustments:	Tweeter and midrange level (±3dB)
Dimensions (H x W x D):	9 ⁷ / ₈ " x 15 ¹⁵ / ₁₆ " x 3 ⁷ / ₈ " (251mm x 405mm x 99mm)
Cutout Dim (W x H):	8 ⁷ / ₁₆ " x 14 ¹ / ₂ " (214mm x 368mm)
Shipping Weight:	20 lbs. (9kg) Pair



Virtuoso V833D

V832D

Tweeter:	1" (25mm) Silk dome, Ferrofluid cooled, pivoting
Midrange:	4" (102mm) Polypropylene cone, rubber surround, pivoting
Woofer:	8" (203mm) Polypropylene cone, rubber surround
Frequency Response:	38Hz – 20kHz ±3dB
Impedance:	8 Ohms nominal; 6 Ohms minimum
Power Handling:	5 Watts minimum; 125 Watts maximum
Sensitivity:	90dB SPL (2.83V 1 meter)
Grille Material:	Perforated Aluminum
Adjustments:	Tweeter level (±3dB)
Dimensions (H x W x D):	9 ⁷ / ₈ " x 15 ¹⁵ / ₁₆ " x 3 ⁷ / ₈ " (251mm x 405mm x 99mm)
Cutout Dim (W x H):	8 ⁷ / ₁₆ " x 14 ¹ / ₂ " (214mm x 368mm)
Shipping Weight:	20 lbs. (9kg) Pair



Virtuoso V832D

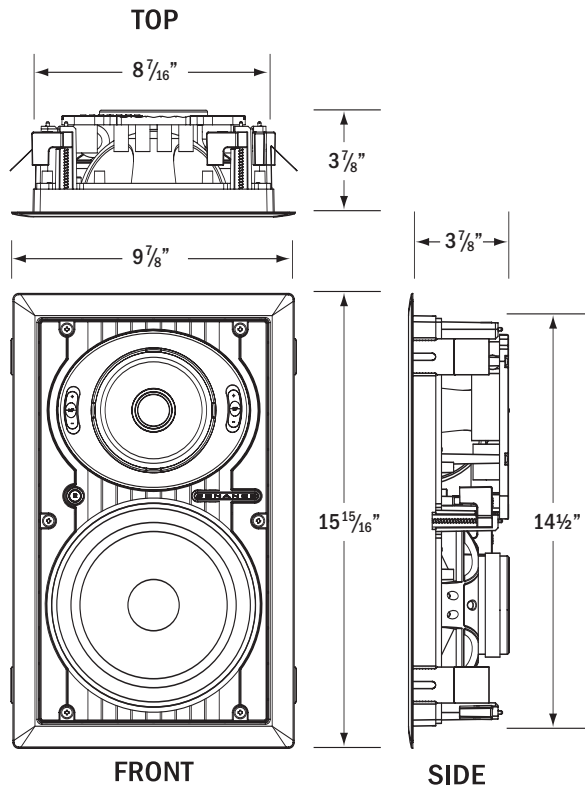
continued on other side



Sonance Virtuoso® D-Series 8" In-Wall Speakers

DIMENSIONS

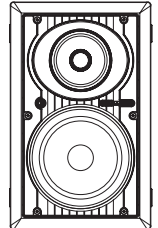
(all virtuoso D-Series speakers)



SPECIFICATIONS (continued)

V831D

Tweeter:	$\frac{3}{4}"$ (19mm) Silk dome, Ferrofluid cooled, pivoting
Midrange:	4" (102mm) Polypropylene cone, rubber surround, pivoting
Woofer:	8" (203mm) Polypropylene cone, rubber surround
Frequency Response:	45Hz – 20kHz \pm 3dB
Impedance:	8 ohms nominal; 6 ohms minimum
Power Handling:	5 Watts minimum; 100 Watts maximum
Sensitivity:	89dB SPL (2.83V 1 meter)
Grille Material:	Perforated Aluminum
Adjustments:	None
Dimensions (H x W x D):	$9\frac{7}{8}"$ x $15\frac{15}{16}"$ x $3\frac{7}{8}"$ (251mm x 405mm x 99mm)
Cutout Dim (W x H):	$8\frac{7}{16}"$ x $14\frac{1}{2}"$ (214mm x 368mm)
Shipping Weight:	16 lbs. (7.3kg) Pair



Virtuoso V831D

OPTIONAL ACCESSORIES:

Virtuoso_D Metal Grille (part# 92289): Metal replacement for included grilles.

Virtuoso_D Cloth Grille (part# 92284): Cloth-covered replacement for included grilles.

Virtuoso_D FlexBracket (part# 92246): Plastic template to reserve a mounting hole for the speaker in new construction. Designed to be used with the RotoLock® mounting system. *Note: Not for use with Architectural Finish Installation Kits.*

Virtuoso_D Coverplate (part# 92244): Covers the hole made by the FlexBracket during construction until the speaker is installed.

Virtuoso_D Acoustic Enclosure (part# 91708): $\frac{1}{2}"$ MDF enclosure that provides ideal acoustic performance and maximum reduction of sound transmission into adjacent spaces. Designed for use only in new construction.

Virtuoso_D Retrofit Enclosure (part# 92242): Molded enclosure that reduces sound transmission into adjacent rooms and spaces. Can be used in both new construction and retrofit installations.

Sonafill® In-Wall System (part# 91698): Retrofittable acoustical treatment for in-wall speakers consisting of two pillows and four tiles that virtually eliminates noise produced by resonating drywall. Dramatically improves midbass sound quality and reduces sound transmission into adjacent rooms.



212 Avenida Fabricante
San Clemente, CA 92672-7531 USA
(800) 582-7777 or (949) 492-7777
FAX: (949) 361-5151
Technical Support: (800) 582-0772
www.sonance.com